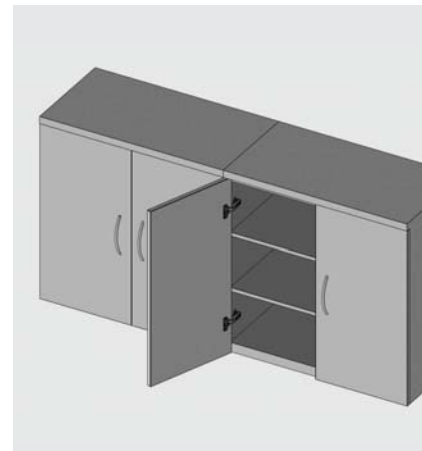


hinge systems

Star Hinge




- Opening Angle : 110°
- Cup Diameter : 35 mm
- Cup Depth : 11,2 mm
- Hinge Body : Steel
- Hinge Cup : Steel
- Crank Type : 0-9-18 mm
- Finish : Nickel
- Depth Adj. : ±3 mm
- Packaging : 250 Pieces



Cranking **Crank 0**

DEFINITION	CODE
45 Axis	101711
45 Axis Ø8 Dowel	101751
45 Axis Ø10 Dowel	101754
45 Axis Euro Screw	101716
45 Axis Spax Screw	101717
45 Axis Easy Fit	1017541
48 Axis	101731
48 Axis Ø8 Dowel	101771
48 Axis Ø10 Dowel	101774
48 Axis Euro Screw	101726
48 Axis Spax Screw	101727
48 Axis Easy Fit	1017542
52 Axis	1017113
52 Axis Ø8 Dowel	1017513
52 Axis Ø10 Dowel	1017543
52 Axis Euro Screw	1017163
52 Axis Spax Screw	1017173
52 Axis Easy Fit	1017544

Screw Options

Ø3,5x16 mm Chipboard Screw	
Spax Screw	
Euro Screw	
Ø8-10 mm Plastic Dowel	
Easy Fit	

Cranking **Crank 9**

DEFINITION	CODE
45 Axis	101712
45 Axis Ø8 Dowel	101752
45 Axis Ø10 Dowel	101755
45 Axis Euro Screw	101718
45 Axis Spax Screw	101719
45 Axis Easy Fit	1017551
48 Axis	101732
48 Axis Ø8 Dowel	101772
48 Axis Ø10 Dowel	101775
48 Axis Euro Screw	101728
48 Axis Spax Screw	101729
48 Axis Easy Fit	1017552
52 Axis	1017123
52 Axis Ø8 Dowel	1017523
52 Axis Ø10 Dowel	1017553
52 Axis Euro Screw	1017183
52 Axis Spax Screw	1017193
52 Axis Easy Fit	1017554

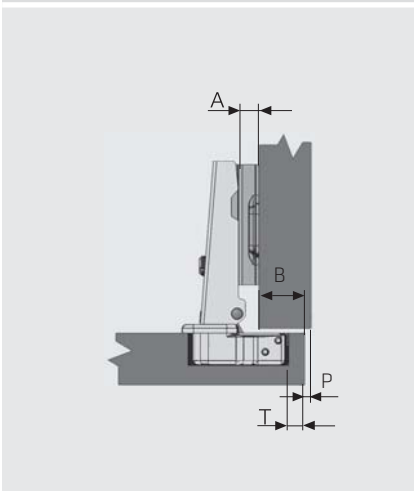
Cranking **Crank 18**

DEFINITION	CODE
45 Axis	101713
45 Axis Ø8 Dowel	101753
45 Axis Ø10 Dowel	101756
45 Axis Euro Screw	101734
45 Axis Spax Screw	101735
45 Axis Easy Fit	1017561
48 Axis	101733
48 Axis Ø8 Dowel	101773
48 Axis Ø10 Dowel	101776
48 Axis Euro Screw	101736
48 Axis Spax Screw	101737
48 Axis Easy Fit	1017562
52 Axis	1017133
52 Axis Ø8 Dowel	1017533
52 Axis Ø10 Dowel	1017563
52 Axis Euro Screw	1017343
52 Axis Spax Screw	1017353
52 Axis Easy Fit	1017564

Page Directions

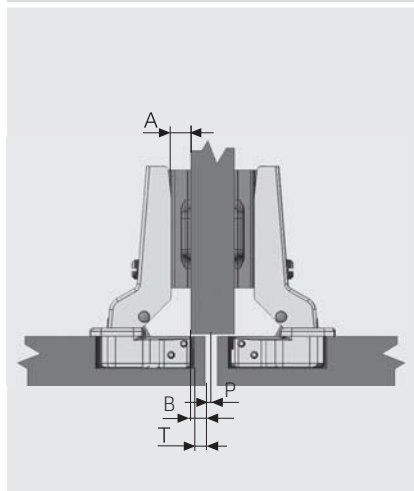
Mounting Plates	Page 162
Distances	Page 174, 175
Decorative Covers	Page 176
Assembly	Page 180
Dimension Charts and Symbols	Page 182

Cranking **Crank 0**



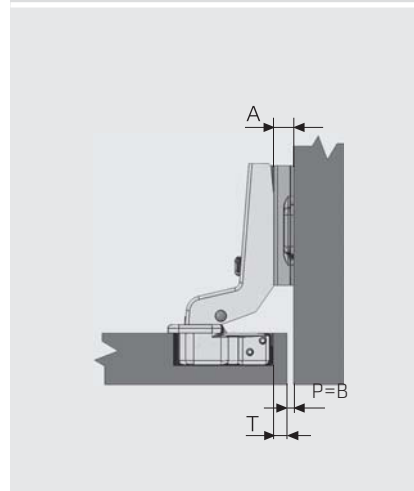
		A - Mounting Plate		
		5	7	9
B - Overlay	12			3
	13			4
	14		3	5
	15		4	6
	16	3	5	7
	17	4	6	
	18	5	7	
	19	6		
	20	7		
		T - Cup Distance		

Cranking **Crank 9**



		A - Mounting Plate			
		5	7	9	
B - Overlay	3			3	
	4			4	
	5		3	5	
	6		4	6	
	7	3	5	7	
	8	4	6		
	9	5	7		
	10	6			
		11	7		
			T - Cup Distance		

Cranking **Crank 18**

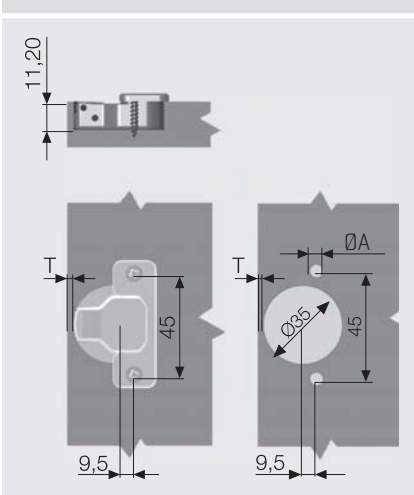


		A - Mounting Plate		
		5	7	9
B - Overlay	6			3
	5			4
	4		3	5
	3		4	6
	2	3	5	7
	1	4	6	
		5	7	
		0		
		T - Cup Distance		

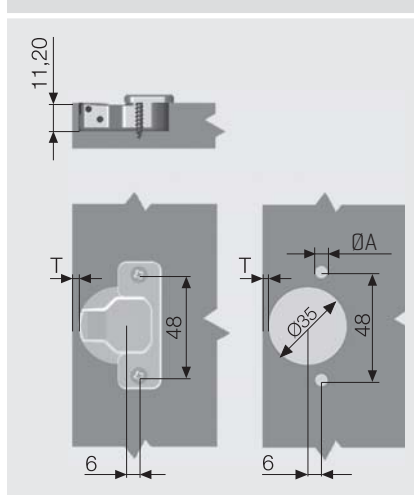
Min. Reveal for Doors [P]

K	16	17	18	19	20	21	22	23	24	25	26
T=3	0.71	0.96	1.27	1.63	2.05	2.56	3.17	3.89	4.67	5.49	6.34
T=4	0.68	0.92	1.21	1.55	1.95	2.41	2.95	3.59	4.30	5.07	5.88
T=5	0.65	0.89	1.17	1.49	1.86	2.29	2.78	3.35	4.00	4.71	5.47
T=6	0.63	0.86	1.12	1.43	1.78	2.18	2.64	3.16	3.76	4.41	5.13
T=7	0.61	0.83	1.08	1.38	1.71	2.09	2.52	3.01	3.56	4.16	4.83

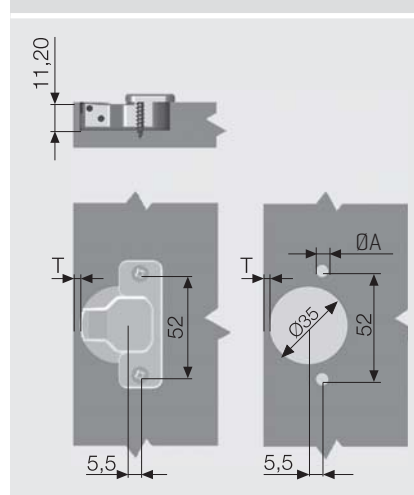
Cup Dimensions 45 mm



Cup Dimensions 48 mm



Cup Dimensions 52 mm



ØA [mm] = Chipboard and Spax Screw; Ø2,5x5 / Euro Screw; Ø5x12 / [Ø8-Ø10] Dowel; [Ø8-Ø10]x12, Easy Fit; Ø10x12